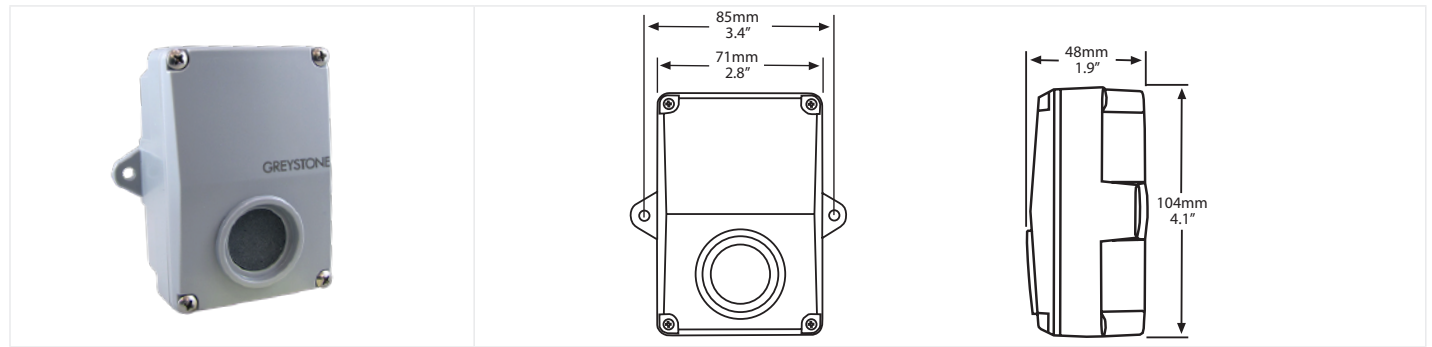




WALL CARBON MONOXIDE DETECTOR



CMD5B1 SERIES

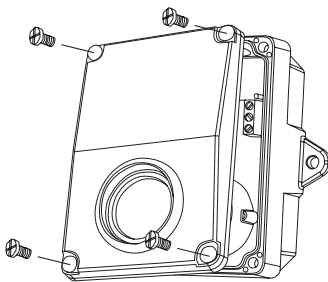
PRODUCT DESCRIPTION

The CMD series carbon monoxide detector uses an electrochemical sensor to monitor the carbon monoxide level and outputs a factory calibrated 4-20 mA, 0-10 Vdc, or Modbus signal. Optionally, the device may be configured with an alarm relay.

TYPICAL INSTALLATION

For complete installation and wiring details, please refer to the product installation instructions.

The enclosure should be mounted on a flat surface 1-1.5 m (3-5') from the floor of the area to be controlled. Do not mount the sensor near doors, opening windows, supply air diffusers or other known air disturbances. Avoid areas with vibrations or rapid temperature changes.



SPECIFICATIONS

MEASUREMENT	Electrochemical
SAMPLE METHOD	Diffusion
MEASUREMENT RANGE	Analog: 0-300 ppm Modbus: 0-500 ppm
ACCURACY	±5 ppm or ±5% of reading (whichever is greater) 0 to 50°C (32 to 122°F), 15 to 95 %RH
AGENCY APPROVALS	Sensor is UL Recognized for ANSI/UL-2034 and UL-2075, E240671
OPERATING CONDITIONS	-20 to 50°C (-4 to 122°F), 15 to 90 %RH, 0.9-1.1 atm
STABILITY	<5% signal loss/year
RESPONSE TIME	<35 seconds for 90% step change
LIFE EXPECTANCY	7 years in air
TYPICAL COVERAGE AREA	700m ² (7500ft ²) or 15m (50ft) radius
WIRING CONNECTIONS	Screw terminal block (14 to 22 AWG)
ENCLOSURE	ABS, UL94-V, IP65 (NEMA 4X)
ENCLOSURE DIMENSIONS	71mm W x 104mm H x 48mm D (2.8" x 4.1" x 1.9")
COUNTRY OF ORIGIN	Canada
NON-RELAY MODEL	Power Supply: 24 Vdc ±20% or 24 Vac ± 10% (non-isolated half-wave rectified) Consumption: 20 mA max Output Signal: 4-20 mA loop-powered or 0-10 Vdc (factory calibrated) Output Drive Capability @ 24 Vdc: Current - 550Ω max Voltage - 10,000Ω min
RELAY MODEL	Power Supply: 24 Vdc ±20% or 24 Vdc ±10% (non-isolated half-wave rectified) Consumption: 40 mA max Output Signal: 4-20 mA sourcing or 0-10 Vdc (factory calibrated) Output Drive Capability @ 24 Vdc: Current - 550Ω max Voltage - 10,000Ω min Relay Contacts: Form C contacts (N.O. and N.C.), 5 Amps @ 250 Vac, 5 Amps @ 30 Vdc Relay Trip Point: 25, 60 and 150 ppm - jumper selectable Relay Hysteresis: 3% or 9 ppm

ORDERING

PRODUCT	CMD5B1	Wall/Surface Mount Carbon Monoxide Detector
RELAY OPTION	000 100	No Relay With Relay (Not available with Modbus communications)
OPTIONS	- 010 MOD	Leave blank for 4-20 mA 0-10 Vdc output Modbus communications

PART NUMBER

CMD5B1

NOTE: Greystone Energy Systems, Inc. reserves the right to make design modifications without prior notice.



Greystone Energy Systems, Inc.
150 English Drive, Moncton,
New Brunswick, Canada E1E 4G7

Ph: +1 (506) 853-3057 Fax: +1 (506) 853-6014
North America: 1-800-561-5611
E-mail: mail@greystoneenergy.com