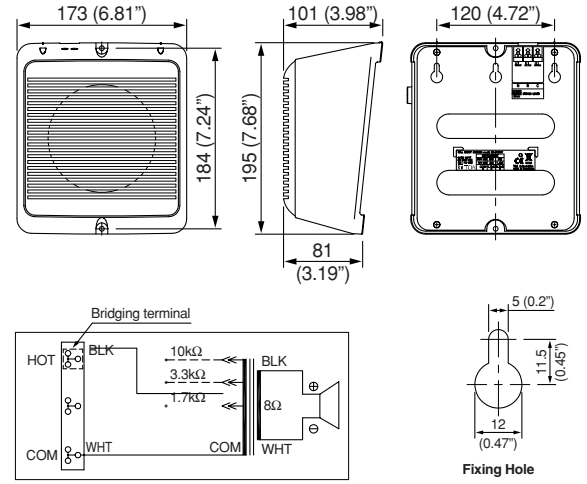


# BS-633A/633AT Wall Mount Speaker System



## APPEARANCE AND DIMENSIONAL DIAGRAM

**BS-633A**

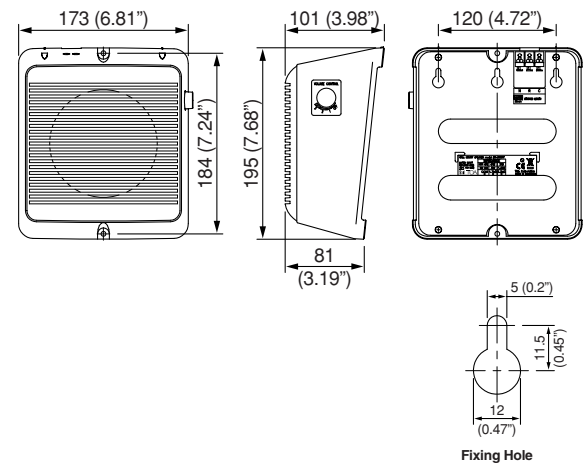


(Transformer connection when the speaker is supplied from the factory)  
(Note) Use transformer terminals when changing input impedance.

## DESCRIPTION

The BS-633A/AT are wall-mount 5" (12cm) cone-type speakers with a compact and unobtrusive enclosure of ABS resin. Installation is quick and easy, and the speakers can be hook-mounted or mounted directly onto a wall. A push-type input terminal allows easy cable connections and bridge wiring. Input impedance can easily be adjusted by changing the tap position of the transformer. The BS-633AT comes with a built-in attenuator and can be connected to 2-wire and 3-wire systems. The speakers are highly cost-effective and well-suited for BGM and announcement applications.

**BS-633AT**



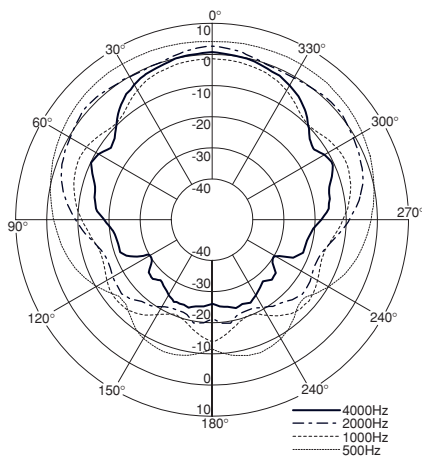
(Transformer connection when the speaker is supplied from the factory)  
(Note) Use transformer terminals when changing input impedance.

## FEATURES

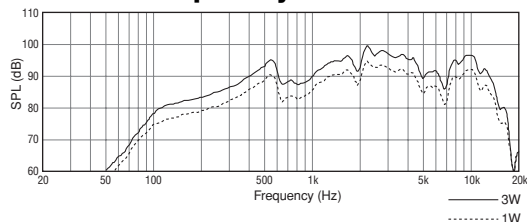
- Compact and unobtrusive design
- Quick and easy installation
- High cost-effectiveness
- Ideally suited for BGM and announcements



## Polar Response



## SPL vs. Frequency



## SPECIFICATIONS

### BS-633A

|                                  |  |
|----------------------------------|--|
| <b>Rated Input:</b>              | 6W (100V line), 3W (70V line)  |
| <b>Rated Impedance:</b>          | 100V line: 1.7kΩ (6W), 3.3kΩ (3W), 10kΩ (1W)<br>70V line: 1.7kΩ (3W), 3.3kΩ (1.5W), 10kΩ (0.5W)  |
| <b>Sensitivity (1W, 1m):</b>     | 91dB   |
| <b>Frequency Response:</b>       | 120 – 15,000Hz (–20dB)   |
| <b>Speaker Component:</b>        | 5" (12cm) cone-type  |
| <b>Applicable Cable:</b>         | 600V vinyl-insulated cable (IV wire or HIV wire)<br>Solid copper wire: ø0.8 – ø1.6mm (equivalent to AWG 20 – 14)<br>7-core twisted copper wire: 0.75 – 1.25mm <sup>2</sup> (equivalent to AWG 18 – 16) |
| <b>Connetion:</b>                | Push-in connector (bridging terminal)  |
| <b>Operating Temperature:</b>    | –10°C to 50°C (14°F to 122°F)  |
| <b>Finish:</b>                   | Case: ABS resin, off-white<br>Rear bord: Hard board  |
| <b>Dimensions:</b>               | 173 (W) × 195 (H) × 101 (D) mm<br>(6.81" × 7.68" × 3.98")  |
| <b>Wall Mounting Dimensions:</b> | Case front mount: 184mm (7.24")<br>Fixing hole mount: 120mm (4.72")  |
| <b>Weight:</b>                   | 780g (1.72 lb)   |
| <b>Accessory:</b>                | Speaker mounting screw (4 × 35 (0.16" × 1.38")) × 2,<br>Speaker mounting screw (4 × 16 (0.16" × 0.63")) × 2  |

### BS-330AT

|                                  |  |
|----------------------------------|--|
| <b>Rated Input:</b>              | 6W (100V line), 3W (70V line)  |
| <b>Rated Impedance:</b>          | 100V line: 1.7kΩ (6W), 3.3kΩ (3W)<br>70V line: 1.7kΩ (3W), 3.3kΩ (1.5W)  |
| <b>Sensitivity (1W, 1m):</b>     | 91dB   |
| <b>Frequency Response:</b>       | 120 – 15,000Hz (–20dB)   |
| <b>Speaker Component:</b>        | 5" (12cm) cone-type  |
| <b>Applicable Cable:</b>         | 600V vinyl-insulated cable (IV wire or HIV wire)<br>Solid copper wire: ø0.8 – ø1.6mm (equivalent to AWG 20 – 14)<br>7-core twisted copper wire: 0.75 – 1.25mm <sup>2</sup> (equivalent to AWG 18 – 16) |
| <b>Connetion:</b>                | Push-in connector (bridging terminal)  |
| <b>Attenuation Level:</b>        | 3W: OFF, 1 (–12dB), 2 (–6dB), 3 (0dB)<br>6W: OFF, 1 (–13dB), 2 (–7dB), 3 (0dB)   |
| <b>Operating Temperature:</b>    | –10°C to 50°C (14°F to 122°F)  |
| <b>Finish:</b>                   | Case: ABS resin, off-white<br>Rear bord: Hard board  |
| <b>Dimensions:</b>               | 173 (W) × 195 (H) × 101 (D) mm<br>(6.81" × 7.68" × 3.98") (excluding volume control)   |
| <b>Wall Mounting Dimensions:</b> | Case front mount: 184mm (7.24")<br>Fixing hole mount: 120mm (4.72")  |
| <b>Weight:</b>                   | 810g (1.79 lb)   |
| <b>Accessory:</b>                | Speaker mounting screw (4 × 35 (0.16" × 1.38")) × 2,<br>Speaker mounting screw (4 × 16 (0.16" × 0.63")) × 2  |

## Architect's and Engineer's Specifications

### BS-633A

The speaker shall be a 5" (12cm) cone-type speaker suitable for wall mounting. Cable connection shall be by means of a push-in connector (bridging terminal).

The speaker shall include a transformer having multiple taps (1W, 3W, 6W at 100V and 0.5W, 1.5W, 3W at 70V) adjustable. The output sound pressure level at a distance of 1m with a 1W input level applied shall be 91 dB SPL. The speaker shall have a frequency response of 120 – 15,000Hz (–20dB).

The speaker enclosure shall be constructed of ABS resin. The speaker shall be available in off-white colour. The unit shall have dimensions of 173 (W) × 195 (H) × 101 (D) mm (6.81" × 7.68" × 3.98"), and a weight of 780g (1.72 lb).

The speaker shall be a TOA model BS-633A.

### BS-633AT

The speaker shall be a 5" (12cm) cone-type speaker suitable for wall mounting. Cable connection shall be by means of a push-in connector (bridging terminal).

The speaker shall include a transformer having multiple taps (3W, 6W at 100V and 1.5W, 3W at 70V) adjustable. The output sound pressure level at a distance of 1m with a 1W input level applied shall be 91 dB SPL. The speaker shall have a frequency response of 120 – 15,000Hz (–20dB). The speaker shall have a built-in attenuator, enabling it to be connected to a 2-wire and a 3-wire system.

The speaker enclosure shall be constructed of ABS resin. The speaker shall be available in off-white colour. The unit shall have dimensions of 173 (W) × 195 (H) × 101 (D) mm (6.81" × 7.68" × 3.98") (excluding volume control) and a weight of 810 g (1.79 lb).

The speaker shall be a TOA model BS-633AT.