

# V-RECON SERIES VMIP-13

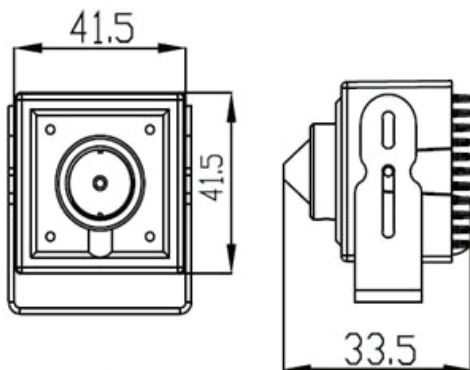
1.3MP Network Pinhole Camera



## Key Features

- 1/3" Progressive Scan CMOS
- 3.7mm
- 1.3MP Resolution
- Multiple Streams
- DWDR, ROI, Defog, Corridor Mode

## Dimensions



Specifications	
<b>Image Sensor</b>	1/3" Progressive Scan CMOS
<b>Max Res. / Max</b>	1280(H)x720(V)/30fps
<b>Min. Illumination</b>	Color: 0.1Lux(AGC ON); B&W 0.005LUX (AGC ON)
Camera	
<b>Day / Night</b>	Fixed
<b>Lens</b>	3.7mm
<b>Auto Iris</b>	Fixed
<b>Video Output</b>	Rear Mount BNC video output with IP Address OSD
<b>Digital Noise Reduction</b>	3D
<b>DWDR</b>	≥ 50dB (AGC OFF)
<b>S/N</b>	≥ 50dB (AGC OFF)
<b>Electronic Shutter</b>	Auto / User 1/25 - 1/10,000 ; 50/60Hz software selectable
<b>HLC</b>	Auto
<b>ROI</b>	Yes
<b>Defog</b>	Yes
<b>FOV</b>	57°
Video	
<b>Video Compression</b>	H-264 High/Main/Base Profile. Stream1 H-264, or MJPEG
<b>Audio Compression</b>	G.711
<b>Image Setting</b>	Rotate mode, Saturation, Brightness, Contrast, Sharpness
<b>Streaming</b>	Stream1: 1280x720 Stream2 : D1 to QVGA
<b>Bit Rate</b>	1000kb-8000kb
<b>I Frame</b>	User selection value
<b>Brightness / Sharpness</b>	Variable 0~100 / 0~100
<b>Gain Control</b>	Auto / Fixed 8~102dB
<b>Orientation</b>	Horizontal Mirror / Vertical Flip
<b>Text Overlay</b>	Time / Date / Camera / Custom OSD
<b>Masking</b>	5 User defined masking areas < 8% of total picture
Network	
<b>TCP/IP</b>	IPv4 / IPv6 (DHCP / Fixed)
<b>System Compatibility</b>	Onvif
<b>Alarm Trigger</b>	Motion Detection, Network Disconnect, I/O Alarm
<b>Security</b>	User security authentication, Reset, Hardware WatchDog
<b>RTSP Video</b>	Standard RFC2326, Support Quicktime / VLC Player
<b>Web Language</b>	English
<b>Network Protocols</b>	TCP/IP, UDP/IP, SMTP, HTTP, FTP, PPPoE, DHCP, DNS, DDNS, UPNP, RTP, RTSP

# V-RECON SERIES VMIP-13

1.3MP Network Pinhole Camera



**VEILUX**<sup>®</sup>  
*The Art of Surveillance*

Interface	
<b>Audio</b>	1 x RCA Input / 1 x RCA Output @ 1V Line Level
<b>Ethernet</b>	1 Ethernet (10/100 Base-T) RJ45 Connector
<b>Analog Output</b>	BNC
<b>Alarm</b>	1 channel Alarm input/1 channel Alarm output
<b>Reset Button</b>	Yes
<b>Edge Storage</b>	SD/HDSD Max 32GB
General	
<b>Power Supply</b>	DC12V -10%~+10%
<b>Consumption</b>	2W(MAX)
<b>Temperature</b>	-14°F ~ 140°F (-10°C ~ 60°C)
<b>Operating Humidity</b>	0% - 90% RH
<b>Approvals</b>	CE / FCC
<b>Dimensions</b>	1.65"x1.65"x1.34" (42x42x34mm)
<b>Product Weight</b>	0.37lb (170g)

**Veilux Inc**

802 Greenview Dr. Suite 200, Grand Prairie TX. 75050 USA  
Toll Free: 1-800-510-6528 Direct: (+1) 214 635-4855 Fax: (+1) 214 988-2858  
sales@veilux.net www.veilux.net