

## Axis<sup>AX</sup>

### Addressable Firefighter Phone w/Riser Module AV-TEL

When added to an Axis<sup>AX</sup> Series Command Center, the AV-TEL provides Firefighter Telephone support. The AV-TEL is a self contained unit that includes a Firefighter Telephone along with Telephone Riser Circuitry in an easy to install enclosure. The AV-TEL mounts to the inner door of an Advanced Axis<sup>AX</sup> Series Command Center.

The AV-TEL circuitry creates a fully supervised telephone “party line” that allows field mounted firefighter telephones to communicate with up to 5 other firefighter telephones on the “party line” as well as the command center telephone simultaneously. The “party line” can be configured as a Class A or B circuit.

Advanced has a variety of field mounted firefighter telephones to choose from. Customers may choose from either a firefighter’s telephone that is mounted in an enclosure or an AV-JACK. Any combination of up to 40 firefighters telephones and/or AV-JACKs are supported by the AV-TEL riser module.

All wiring from the AV-TEL to all field mounted addressable firefighter telephones and AV-JACKs is fully supervised for opens, shorts and ground faults.

The riser module of the AV-TEL requires a regulated 24 VDC supply rated at 600mA. This can be supplied from the AUX Output of the command center AX-CTL base card, depending on other overall loading of this supply. Maximum riser operational current with 5 telephones active plus the command center telephone is 300mA.

The riser module is equipped with a trouble relay contact which is energized by the 24 VDC supply. This trouble contact may be monitored by one of the inputs located on the back of the AX-DSP display card, however this is not essential because each addressable AV-JACK and firefighter telephone provides supervision of the riser voltage as well.



#### Unique Features:

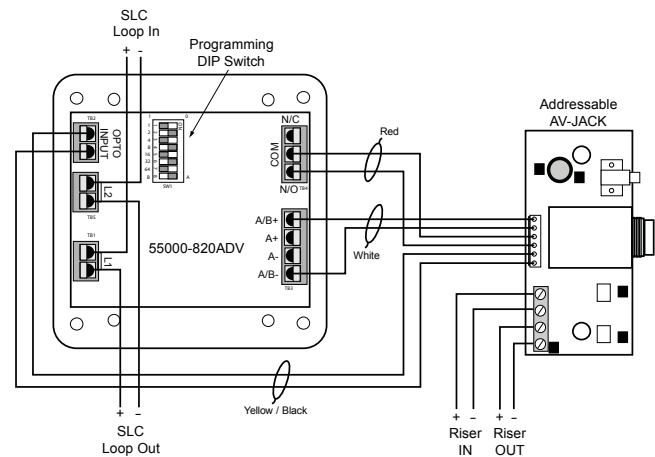
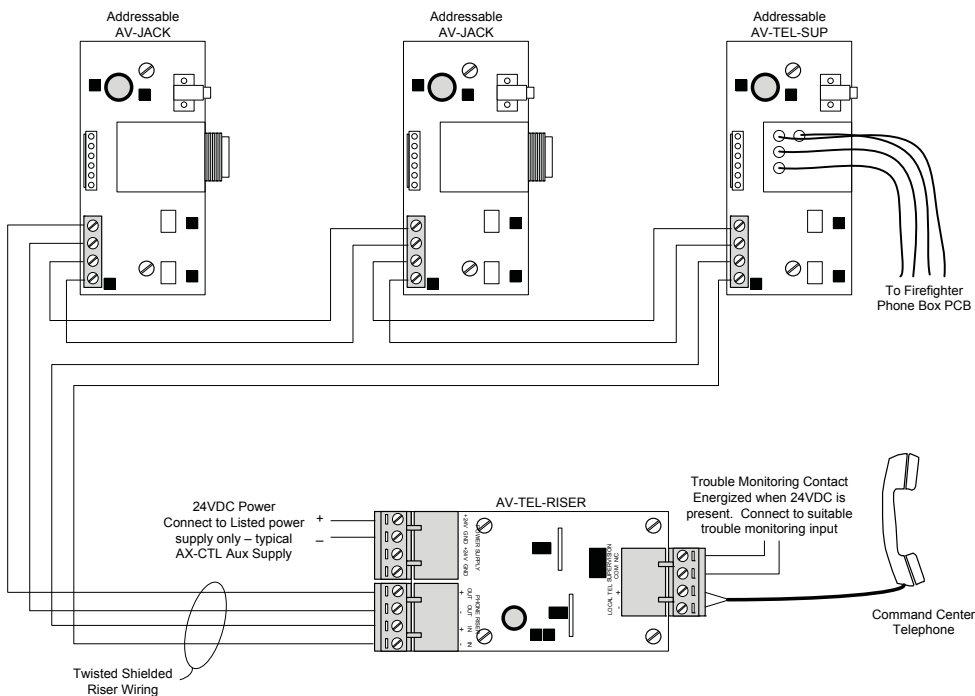
- Compatible with Axis<sup>AX</sup> Series Command Centers
- Class A or B Telephone Riser
- Fully Supervised
- Individually Addressed Field Telephones

#### Ratings:

- 24VDC, 600mA Short Circuit Maximum
- All Circuits Power Limited
- Riser Circuitry Contains Resettable Fuses
- Terminals Support 12-22 AWG Wire
- Maximum Circuit Impedance 40Ω

#### Listings and Approvals:

- ETL ANSI/UL 864 Listed: 101564744NYM-001
- CSFM Approved: 7165-1713:0101
- NYC FD COA #6105



## Ordering Information

<b>AV-TEL</b>	Firefighter Phone w/Telephone Riser Module and Enclosure. Mounts to inner door of Axis <sup>AX</sup> Series Command Centers.
<b>AV-JACK</b>	Addressable Firefighter Telephone Jack. Fully Supervised. Includes Phone Active LED that illuminates upon connection with Command Center Telephone. Comes with interface cabling for 55000-820ADV addressable I/O module connection.
<b>AV-TEL-SUP</b>	Addressable Firefighter Telephone supervision module for mounting within a firefighter's warden station. Comes with required mounting hardware and interface cabling for 55000-820ADV addressable I/O module connection.



Advanced Fire Systems Inc  
100 South Street, Hopkinton, MA 01748

Tel: (508) 435-9995  
Fax: (508) 435-9990  
Email: [usa@advancedco.com](mailto:usa@advancedco.com)  
Web: [www.advancedco.com](http://www.advancedco.com)

As our policy is one of constant product improvement the right is therefore reserved to modify product specifications without prior notice.